

THE CHANGING FACE OF PARKING -

# AURA

THE NEXT GENERATION NOW



The **AURA** represents the next and most innovative generation of pay & display machines specially developed by Metric to satisfy the most rigorous demands of today's and tomorrow's parking needs. The **AURA** offers you state of the art technology which will be invaluable in helping you to manage your parking operation. This new generation of machines have been designed to give reliability, ease of use and are simple to maintain even in the most demanding of environments.

**NEXT GENERATION TECHNOLOGY -**



**SECURITY  
KEY MANAGEMENT**

This new, advanced high security feature using electronic keys, pushes out tradition while driving forward customer needs. The keys can be programmed, tracked and assigned to specific personnel. For complete peace of mind, networked machines will also have remote facilities to enable the immediate cancellation of keys. Changing locks because of lost keys will become a thing of the past.



**SECURITY  
OF TRANSACTIONS**

A key feature of the machine is the security of transactions and the cash handling system. The method for transporting cash into the cashbox has been designed to prevent criminal interference and speed up the cash transfer. The proven design of the current cashbox has been incorporated into the **AURA**, which offers the automatic sealing and locking of the box on removal, making the transporting of cash a safer process. Access to the vault is secured by an electronic mechanism with no visible locks. The vault area is composed of a series of stainless and hardened steels and composite material designed to resist attack.



**BOTH CASH AND CASH  
NEW CHIP &**

The **AURA's** coin system has a new design which incorp coin box. A 15 coin validator allows for the incorporation and system has been upgraded and offers optimum reliab credit card payments is available. Using the same card re including the in-house 'Metric Card' configured to suit cus Swiss-cash for cashless payments.



Card acceptance



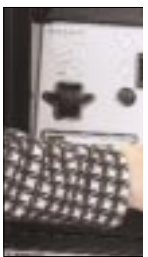
Note reader



Up to 15 coins accepted



Registration identity tickets



Wave & P



**THE PARKING PROFESSIONALS**



# AURA

THE NEXT GENERATION NOW

## AURA

### ELECTRONIC LOCKING

A configured Dallas key is used to activate a time sensitive unlocking sequence on both the upper casework and secure pedestal area. For easy exchange of the cashbox, a drop down door on the pedestal is lowered 90° to a horizontal position, which acts as a shelf to support the cash box.

## AURA

### KEYPAD OPTIONS

A 12 button piezo SMS style keypad will be available as an option and can be used in conjunction with card readers, the Metric Space Network System or for vehicle registration systems. Chip and Pin machines will have their own unique card reader and Pin pad. The Pin pad can also double up as the machine key pad if required for the Space network or vehicle registration entry.

## AURA

### SPACE NETWORK

This newly developed system can be used on or off-street, to control parking spaces by zone and offers a 9,999 space capacity. When



combined with a GPRS Network, this system allows all machines to provide 'top-up' payment points.

The system incorporates the 'Skeye Pad', which can be hand-held or mounted on a desk or vehicle dashboard.

The advantages are:-

- ✓ Remote and efficient enforcement
- ✓ Office, hand-held or in-vehicle monitoring
- ✓ Customers can top up their parking from any machine.
- ✓ Alternative to Pay-on-foot systems.

## LESS PAYMENTS WITH PIN OPTION

Offers faster coin validation and swifter transport to the top of dual currency where required. The £/Euro note reader adds flexibility and robustness. New Chip & Pin verification for card readers, the AURA will also accept most SMART cards to meet customer requirements, 276 card, Mi-Fare (new) and



Card pay option



Easy to exchange cashbox



Drop down door eases access



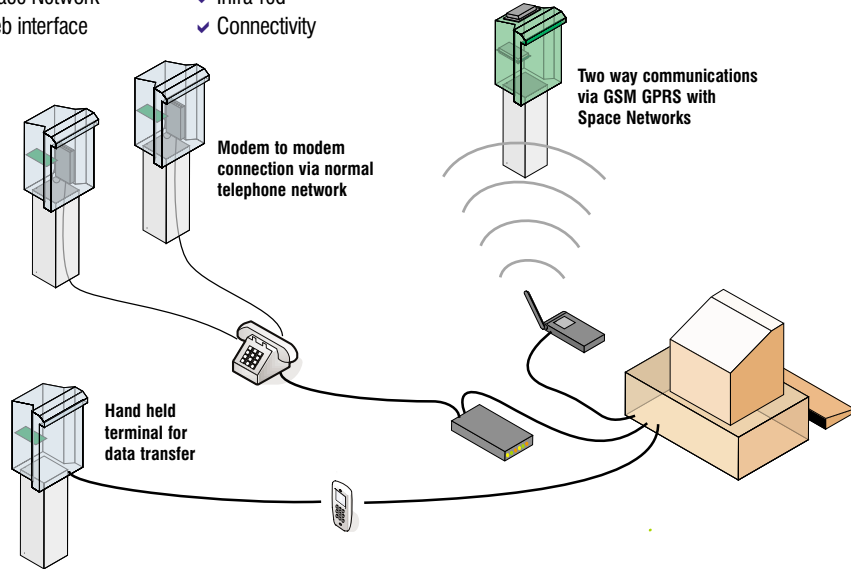
## ASLAN BACK OFFICE SOFTWARE & NETWORKS

### Applications

STATS (Reporting)  
ALERT (Monitoring)  
Tariff Editor  
Space Network  
Web interface

### Communication

✓ GSM Networks  
✓ GPRS Networks  
✓ Wi-Fi Capabilities  
✓ Infra-red  
✓ Connectivity



## SPECIFICATION

Machine Dimensions	(H) 1765mm x (W) 400mm x (D) 300mm
Machine Weight	Case 47kg. Pedestal 73kg.
Power supply Mains Machine	230v - 15/+10% 50Hz or 115v - 15/+10% 60Hz mains supply with battery (12aH) backup
Solar Powered Machine	Solar charged model supplied with 38aH battery.
Battery Powered Machine	Battery powered model supplied with 38aH battery
Operating Voltage	12v DC
Operating Temperature	-20°C to 60°C
Humidity	Up to 95% non condensing
Payment Systems	Coins, notes, tokens, magnetic card, SMART Chip cards, credit cards
Coin Acceptance	Electronic up to 15 different coins of any legal currency
Casework	Welded reinforced treated steel, optional stainless steel
Pedestal	Welded reinforced treated steel, 9mm reinforced door with combined material protection, optional internal hardened steel plates, optional stainless steel
Ticket Printing	Thermal 8 dots/mm graphic print head
Ticket Capacity	110 micron paper roll: 4,000 tickets
Single Ticket Size	(W) 60mm x (L) 60mm
Backlit display	240 x 64 dot graphic LCD
Coin Boxes	6 litre self locking and Ticfak (Swiss)
Heater (Mains supply only)	Thermostatically controlled, optional pedestal heater
Standard Colours - Powder Coated Finish	Black, Mid Brunswick Green, Basalt Grey, Tartan Blue (light) Ultramarine Blue (dark), Traffic Red (light), Ruby Red (dark), Mandarin Orange Optional: Anti Graffiti coating

## REASSURANCE

- DDA Compliant
- RoHS Compliant
- UK's largest Service Department
- ISO 9001 Company
- Complies with British & European Standards
- United Kingdom's Disabled People's Council approved



Metric Group reserves the right to amend or change specifications at any time



**Metric Group Ltd** Metric House,  
Westmead Industrial Estate, Westlea, Swindon, SN5 7AD  
Tel: 01793 647800 Fax: 01793 647802 www.metricgroup.co.uk

A MEMBER OF THE HOFFT & WESSEL GROUP